

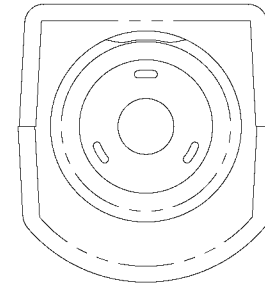
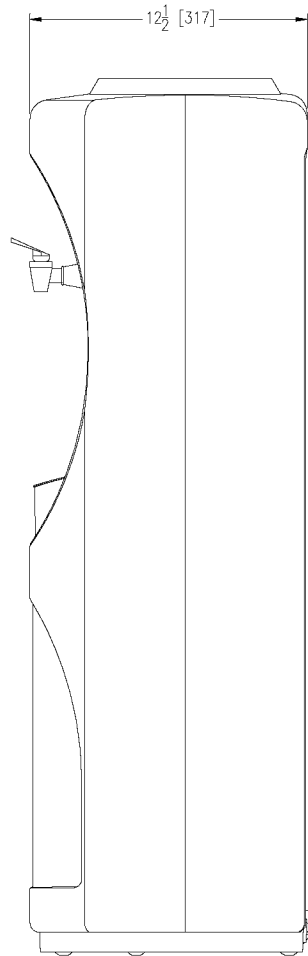
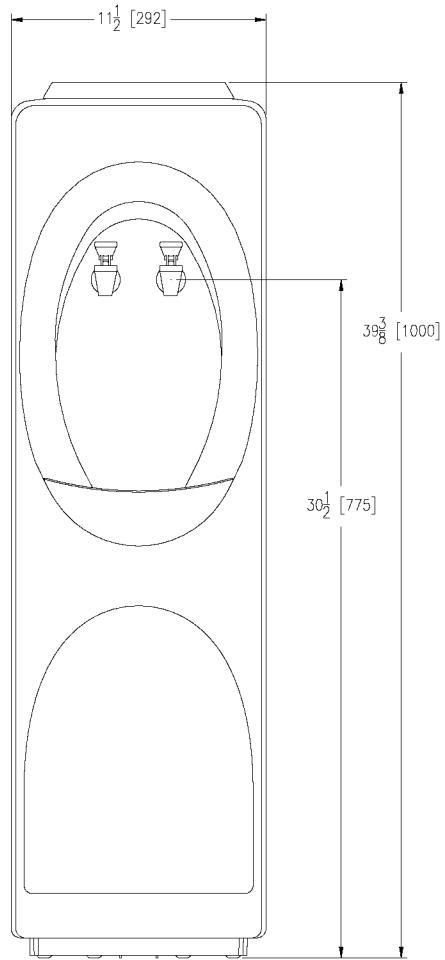
4

3



2

1



TOP VIEW

4

3



2

1

<p>THE DESIGNS AND CONSTRUCTION OF THE ITEMS SHOWN ON THIS DRAWING ARE THE PROPERTY OF THE SUNROC CORPORATION, AND NO COPIES OF EITHER ARE TO BE MADE WITHOUT PERMISSION; THIS DRAWING REMAINS THE PROPERTY OF THE SUNROC CORPORATION AND MUST BE RETURNED ON DEMAND.</p>					<p>THIRD ANGLE PROJECTION</p>			
<p>MATERIAL: VARIOUS</p>					<p>UNLESS OTHERWISE SPECIFIED DIMENSIONS ARE INCHES</p>		<p>BOTTLE WATER COOLER LEGEND</p>	
<p>FINISH: _____</p>		<p>SCALE: 1/4 (U.S.)</p>			<p>( ) = MILLIMETERS ( ) = REFERENCE</p>		<p>DESIGN: S.Childears DATE: 07/26/01</p>	
<p>TOLERANCES</p>					<p>DECIMALS</p>		<p>APPROVED: _____ DATE: _____</p>	
<p>XXX = ±.030</p>					<p>XX = ±.015</p>		<p>C026415-28</p>	
<p>XX = ±.005</p>					<p>ANGLES = 40.0°</p>		<p>FILE: C SHEET: 1 of 1 REV: 0</p>	
<p>UNMARKED RADII = .015</p>					<p>AutoCAD File</p>			
REV	ECN	BY	DATE	APVD				